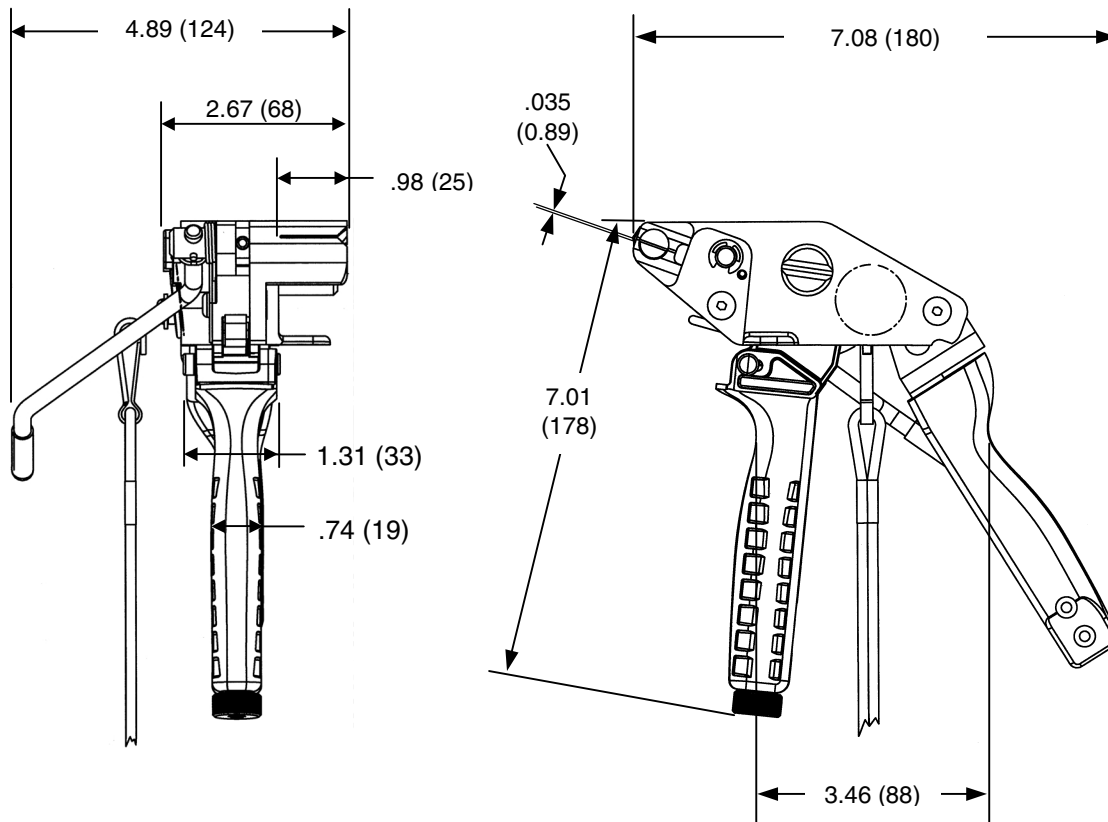


THIS COPY IS PROVIDED ON A RESTRICTED BASIS AND IS NOT TO BE USED IN ANY WAY DETRIMENTAL TO THE INTERESTS OF PANDUIT CORP.



**NOTES, UNLESS OTHERWISE SPECIFIED:**  
 PANDUIT TOOL NUMBER RT1HT IS USED TO  
 INSTALL COATED & UNCOATED PAN-STEEL  
 MLTEH, MLTEH15 AND MLTSH TIES.

**THIS TOOLS' FEATURES INCLUDE:**

- Single handle trigger for fast installation
- Cable tie side entry for immediate positioning of tie and tool
- Adjustable controlled or Installer controlled tension
- Cut-off capability with the cutter and cutter handle
- Easy removal of excess tie
- Multi-position rear handle allows access to tight areas.
- Features to release & remove tie from tool before cutting.

**CABLE TIE CROSS-SECTION CODE:**  
 MLTEH      MLTEH15      MLTSH

TOOL WEIGHT: 2.5 lbs. (40 oz.)  
 Dimensions shown in parenthesis are metric.

F:\wrkgrp\rvusers\ENGR DOCS-NEW\ CUSTDWG\TM24905A01\_01 RT1HT.doc



CORP. TINLEY PARK, ILLINOIS

**RT1HT CUSTOMER DRAWING**

UNLESS OTHERWISE SPECIFIED,  
 DIMENSIONAL TOLERANCES ARE:

(.x) ± --- (.xxx) ± ---  
 (.xx) ± --- ANGLES ± ---

UNLESS OTHERWISE  
 SPECIFIED, ALL DIMENSIONS  
 ARE GIVEN IN INCHES, THIRD  
 ANGLE PROJECTION.

DRAWN BY:  
 BLR

MATL:

SCALE

DATE:  
 8-03-04

**SHEET  
 1 OF 1**

DRAWING NO.

**TM24905A01**

DWG  
**A**  
 SIZE

REV	DATE	BY	CHK'D	DESCRIPTION	ECN	-R	CUST	SUP
01	10-4-04	BLR	ABJ	CHNG LOCKOUT SET SCR; MOVE LANYARD	4143		DLWE	
00	8-03-04	BLR	ABJ	RELEASED	4133	--	DLWE	